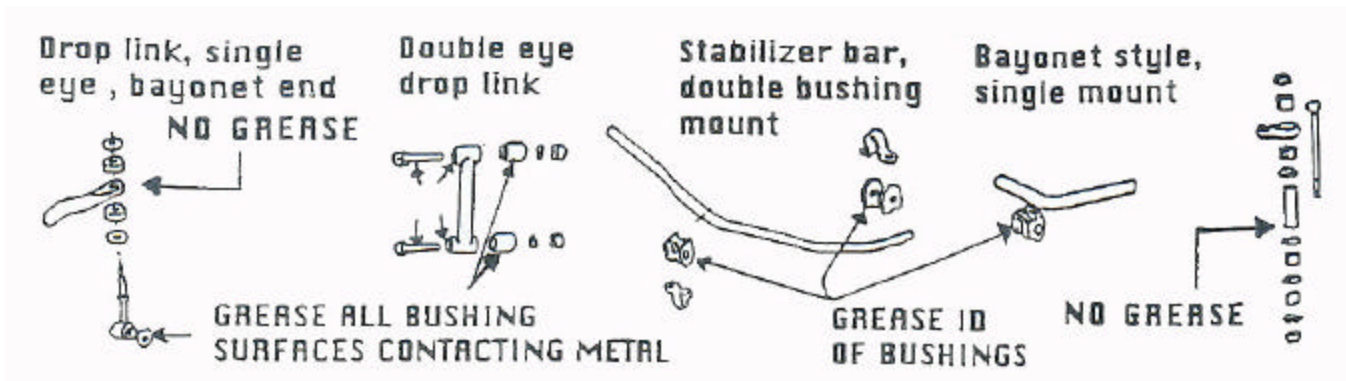




## Stabilizer Bar and Track Bar Lubrication

Before Installing your new Stabilizer Bar or Track Bar Components, read the instructions carefully. Your polyurethane component kit has been designed to provide the highest quality and performance. Improper installation could result in failure. Please use caution and have your installation inspected by a certified mechanic



There are many types of stabilizer bars, your vehicle could have any combination of components. Lubricate your new suspension components as shown above. Lubricate track bars as you would double drop links. Use a Teflon based grease on your polyurethane components, it will give you increased performance and longevity.

**IMPORTANT:** Take time to clean rust and scale off the stabilizer bar, drop link, and track bar eyes.

Before installing your new components, compare the new parts with the old parts. Make sure you are installing the correct parts.

**Note:** Polyurethane bushings for drop links and track bars could be one piece or two piece depending on the application.

### WARNING

This vehicle has been modified to enhance its performance. The steering, braking and handling of this vehicle will differ from standard passenger cars and trucks, This vehicle handles differently from an ordinary vehicle in driving conditions which may occur on streets, highways and off road. Avoid unnecessary abrupt maneuvers, sudden stops, sharp turns and other driving conditions that could cause loss of control, possibly leading to a roll over or other accident that could result in serious injury or death to driver and passengers. If larger tires are installed the speedometer will read lower than the vehicles actual speed.

**DRIVE WITH CARE, REDUCE SPEED  
AND WEAR SEAT BELTS AT ALL TIMES.**

*This kit should be installed by a professional mechanic.*